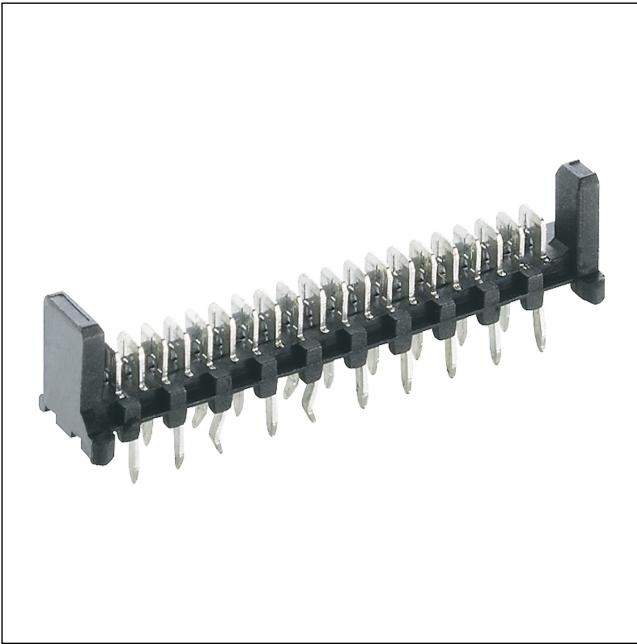


30 MICS-D

Micromodul™ connectors, pitch 1.27 mm

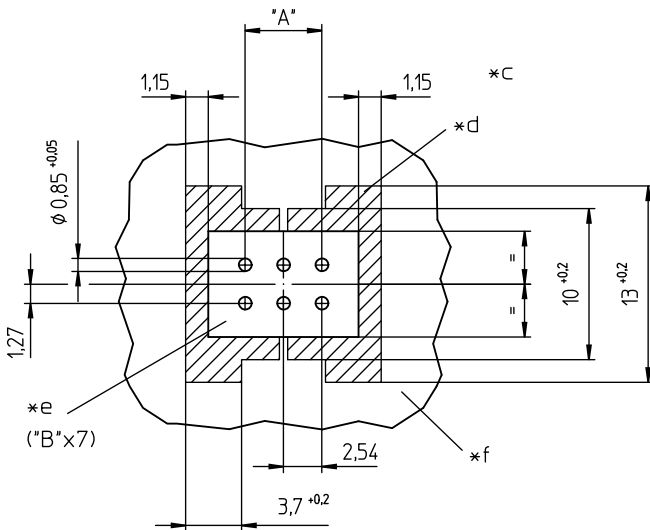
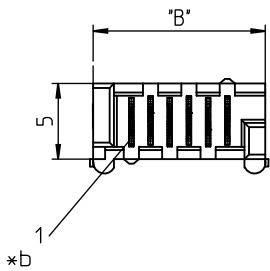
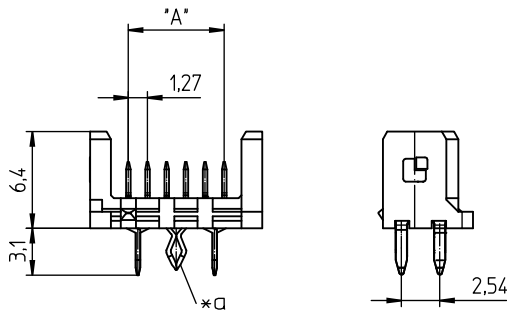


Micromodul™ tab header, upright, without retaining hooks, solder contacts dual row parallel

Approvals:



30 MICS-D



Environmental conditions

Temperature range -40 °C/+140 °C¹

¹ upper limit temperature (insulating body) RTI (electrical) of the UL Yellow Card

Materials

Insulating body PA GF, V-0 according to UL94
Contact tab CuZn, pre-nickel and tin-plated – MICS-D
CuZn, pre-nickel and gold-plated – MICS-D AU

Mechanical data

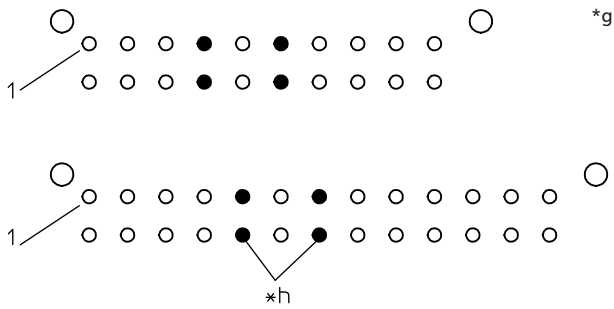
Expression force contact tab from insulating body ≥ 7 N/contact

Electrical data (at T_{amb} 20 °C)

Rated current 1.2 A
Rated voltage 160 V AC
(250 V AC without consideration of creepage and clearance distances according to IEC 60664/ DIN EN 60664)
Material group I (IEC)/0 (UL) (CTI ≥ 600)
Creepage distance 0.97 mm
Clearance 0.97 mm
Insulation resistance > 1 G Ω

30

MICS-D



- *a cranked solder contact (from 20 poles on), all cranked on request
- *b contact 1
- *c printed circuit board layout, solder side view
- *d necessary space for use of pull-off tongs AZ30
- *e component area (B x 7)
- *f recommended thickness of circuit board 1.5 ± 0.14 mm
- *g printed circuit board layout, solder side view, for pole numbers 20 and 26, with bore holes for cranked solder contacts
- *h bore hole for cranked solder contact

30 MICS-D

Designation	Pole Number	PU (Pieces)	MDQ (Pieces)	Dimensions	
				A (mm)	B (mm)
MICS-D 04	4	1000	2000	3.81	8.86
MICS-D 06	6	1000	2000	6.35	11.40
MICS-D 08	8	1000	2000	8.89	13.94
MICS-D 10	10	1000	2000	11.43	16.48
MICS-D 12	12	500	2000	13.97	19.02
MICS-D 14	14	500	2000	16.51	21.56
MICS-D 16	16	500	1000	19.05	24.10
MICS-D 18	18	500	1000	21.59	26.64
MICS-D 20	20	500	1000	24.13	29.18
MICS-D 26	26	500	1000	31.75	36.80
MICS-D 04 0,8 AU	4	1000	2000	3.81	8.86
MICS-D 06 0,8 AU	6	1000	2000	6.35	11.40
MICS-D 08 0,8 AU	8	1000	2000	8.89	13.94
MICS-D 10 0,8 AU	10	1000	2000	11.43	16.48
MICS-D 12 0,8 AU	12	500	2000	13.97	19.02
MICS-D 16 0,8 AU	16	500	1000	19.05	24.10
MICS-D 20 0,8 AU	20	500	1000	24.13	29.18

Packaging:

in bulk, in a cardboard box